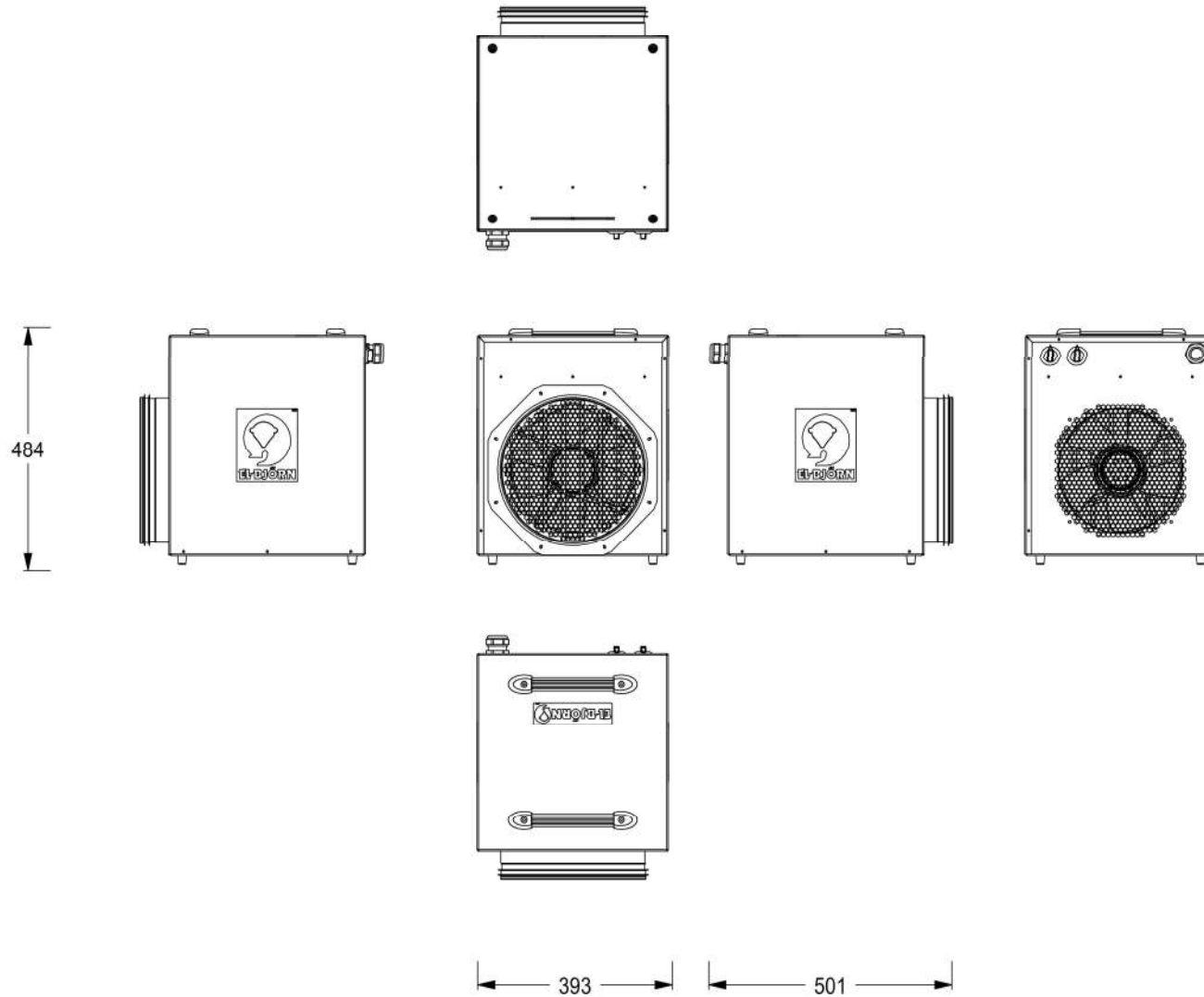


A B C D E F G H J K



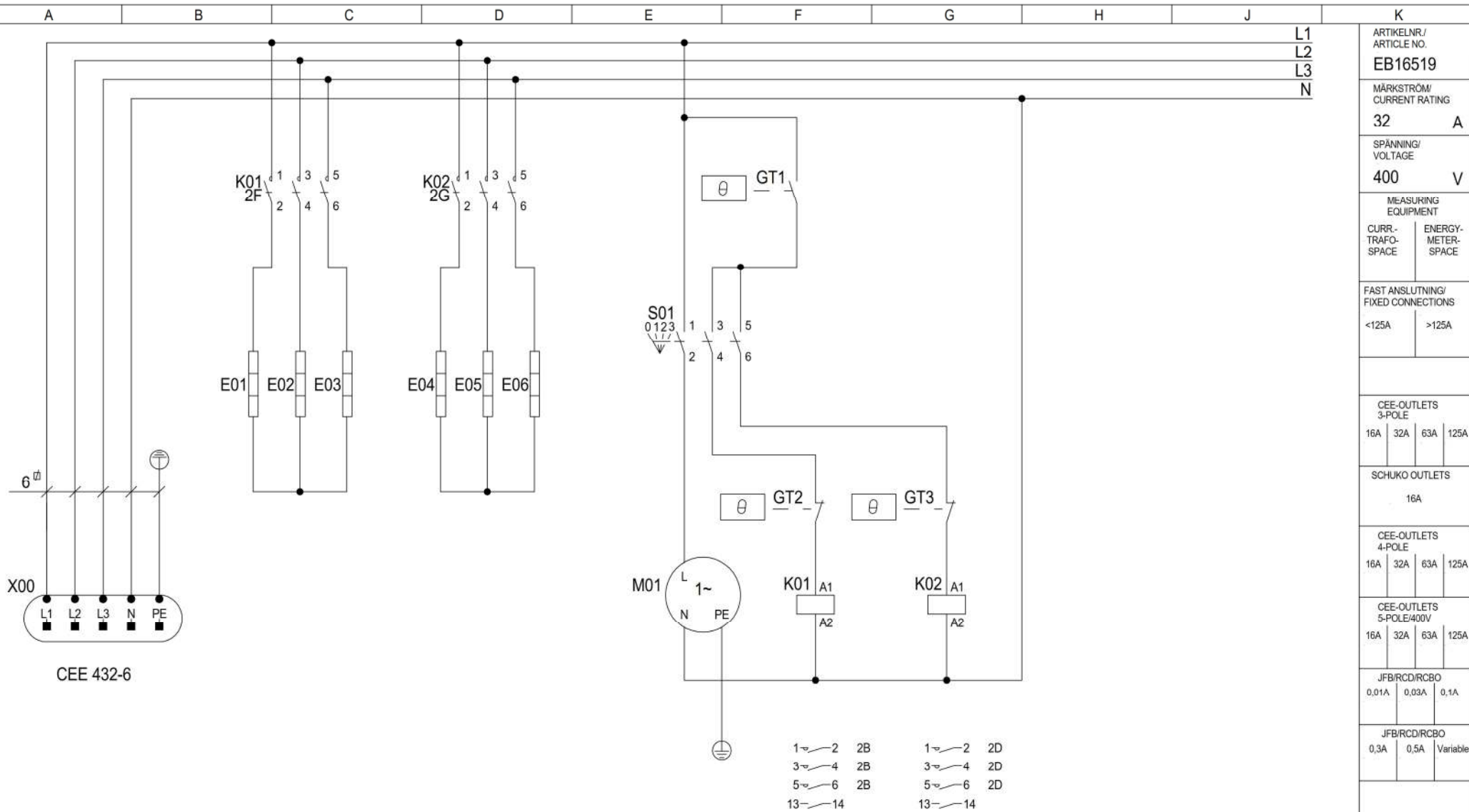
ARTIKELNR/ ARTICLE NO. EB16519			
MÄRKSTRÖM/ CURRENT RATING 32	A		
SPÄNNING/ VOLTAGE 400	V		
MEASURING EQUIPMENT			
CURR- TRAF0- SPACE	ENERGY- METER- SPACE		
FAST ANSLUTNING/ FIXED CONNECTIONS			
<125A	>125A		
CEE-OUTLETS 3-POLE			
16A	32A	63A	125A
SCHUKO OUTLETS			
16A			
CEE-OUTLETS 4-POLE			
16A	32A	63A	125A
CEE-OUTLETS 5-POLE/400V			
16A	32A	63A	125A
JFB/RCD/RCBO			
0,01A	0,03A	0,1A	
JFB/RCD/RCBO			
0,3A	0,5A	Variable	
VIKT/WEIGHT			
kg			

This drawing is property of El-Björn. May not be copied, shown or distributed without our written permission.

KH 12



RITAD A/DRAWN BY CG	DATUM/DATE 230322	NEXT SHEET 2	SHEET 1
SIGN.	REVISION/ISSUE A*	RITNINGENS NR./DRAWING EB16519	



ARTIKELNR./ ARTICLE NO. EB16519	
MÄRKSTRÖM/ CURRENT RATING 32	A
SPÄNNING/ VOLTAGE 400	V
MEASURING EQUIPMENT	
CURR- TRAF0- SPACE	ENERGY- METER- SPACE
FAST ANSLUTNING/ FIXED CONNECTIONS	
<125A	>125A
CEE-OUTLETS 3-POLE	
16A	32A 63A 125A
SCHUKO OUTLETS	
16A	
CEE-OUTLETS 4-POLE	
16A	32A 63A 125A
CEE-OUTLETS 5-POLE/400V	
16A	32A 63A 125A
JFB/RCD/RCBO	
0,01A	0,03A 0,1A
JFB/RCD/RCBO	
0,3A	0,5A Variable
VIKT/WEIGHT	
	kg

This drawing is property of El-Björn. May not be copied, shown or distributed without our written permission.

KH 12



RITAD A/DRAWN BY CG	DATUM/DATE 230322	NEXT SHEET	SHEET 2
SIGN.	REVISION/ISSUE A*	RITNINGS NR./DRAWING EB16519	